



NATIONAL RESEARCH
UNIVERSITY

Andrey Vasenko

School of Electronic Engineering,
Moscow Institute of Electronics and Mathematics,
Higher School of Economics

Postdoctoral fellow with Frank (~5 years)

- 1996-2002 **M.Sci.**, Department of Physics, Moscow State University
- 2002-2006 **Ph.D.**, Chalmers University of Technology, Gothenburg, Sweden
- 2007 **Postdoc**, University of Twente, The Netherlands, Enschede
- 2008-2010 **Postdoc**, **LPMMC, CNRS**
- 2011-2012 **Postdoc**, Institut Laue-Langevin (Theory group), Grenoble
- 2013-2014 **Postdoc**, **LPMMC, CNRS**
- 2015 **HDR**, **Université Joseph Fourier**
- 2015-present **Assoc. Prof.**, Moscow Institute of Electronics and Mathematics, HSE, Moscow, Russia

28 peer-reviewed publications (11 with Frank Hekking)

HDR: Charge, heat and spin transport in superconducting hybrid structures



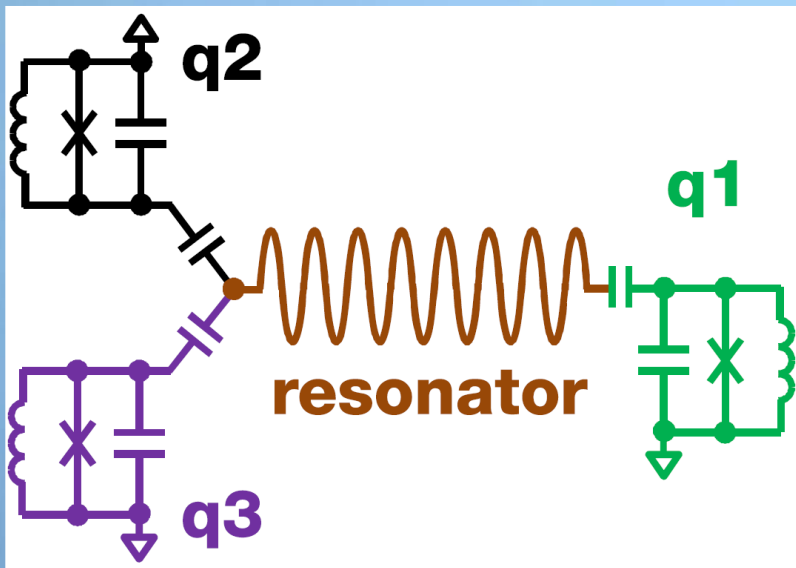
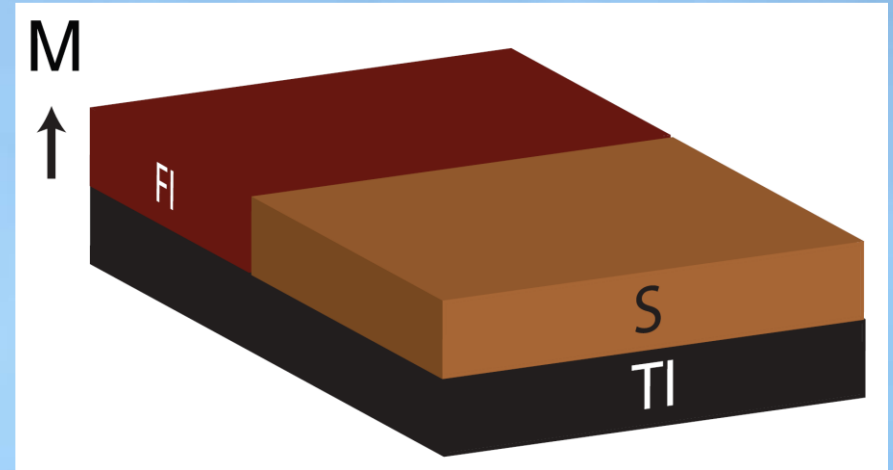
Date de soutenance : 19 octobre 2015

Etablissement soutenance : UNIVERSITÉ GRENOBLE 1

Jury : Mme MIREILLE LAVAGNA, Président du jury
M. THIERRY MARTIN, Rapporteur du jury
M. VYACHESLAV SILKIN, Rapporteur du jury
M. EUGENE SUKHORUKOV, Rapporteur du jury
M. FRANK HEKKING, Membre du jury
Mme CLAUDINE LACROIX, Membre du jury

Present work

Proximity effect in superconductor/
topological insulator (S/TI) hybrids
(with Alexander Golubov, Twente,
see poster)



Suppression of the low-frequency
decoherence in arrays of
superconducting qubits
(with Dmitri Averin, Stony Brook)